

# PRODUCT DATA SHEET

## 1NC STOP CONTACT



### DESCRIPTION

It is made of quality materials and is a solid and durable product in terms of its structure.  
It is included in Ø22mm Button Series Accessories.  
It has a long lifespan.

### FEATURES

Lightweight, easy to install and configure.  
Easily removable and adjustable.  
Operating temperature is between -40 and 70 °C. 1,000,000 cycles mechanical durability,  
sturdy and reliable to ensure continuous operation.

### MARKINGS

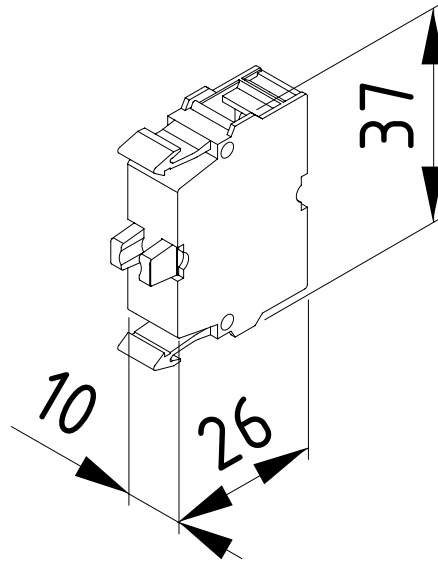


- According to CE

# PRODUCT DATA SHEET

## 1NC STOP CONTACT

### SECTIONS AND DIMENSIONS



PRODUCT CODE	DESCRIPTION
A - 01	1NC Stop Contact